



Call Off Contract NO. (129/2017)
(42 pages)

Two years call - off contract for supply of

- **Rated 0.6/1kV, Circular Compacted Aluminum Conductor, Red XLPE Insulated, Self Supported Overhead AL Cable 3x150+70 (Neutral Messenger) mm².**

Tenderer:

- **Name:**
- **Address:**
- **Telephone / Cellular:**
- **Fax:**
- **Website:**
- **E-Mail:**
- **Contact Person:**

Tender Document Cost = 60 JD.



List of Contents

Table 1

No.	Description	Page
1	Cover Page	1
2	List of Contents	2
3	Invitation to Tender	3
4	General Conditions	4
5	Tendering Instructions	14
6	General requirements	21
7	Form of Bid Bond	22
8	Form of Performance Bond	23
9	Technical specifications	24
10	Inspection and testing	28
11	Special Requirements	34
12	Departures from Specifications	35
13	Manufacturing and Testing	36
14	Price adjustment formula	37
15	Price summary and delivery.	38
16	Inspection details	39
17	Drawing	40-42

**Invitation to Call - Off Contract
NO. (129/2017)**

Dear Sir;

You are kindly requested to tender for the supply of the below mentioned materials as per the quantities and technical specifications enclosed herewith on call-off basis for a period of two (2) years by filling in the schedules, signing the form of tender, and forward the complete tender documents to the attention of IDECO general manager addressed as seen on the cover page, to be received not later than 2 pm (local time) due **(27 / 12 /2017)**.

All bids must be accompanied with a Bid Bond of **not less than 5% of the highest alternative offered price based on aluminum basic price AL= 2100 USD/MT valid for 120 days from the closing date** valid for 120 days from the closing date, otherwise your tender will not be considered. The bid bond shall be enclosed in the same envelope of the tender and must be delivered to tenders secretary office located in general management building - financial department not later than 2 pm (local time) due **(27 /12 /2017)**.

Table 2

Item No.	Quantity (kM)	Material Description	Stock Code
1	50	Rated 0.6/1kV, Circular Compacted Aluminum Conductor, red XLPE Insulated, Self Supported Overhead AL Cable 3x150+70 (Neutral Messenger) mm2.	

GENERAL CONDITIONS

1. Preamble

1.1. These General Conditions shall apply, save as varied by express agreement accepted in writing by both parties.

1.2. Definition of Terms:

The "**Purchaser**" shall mean "Irbid District Electricity Co. Ltd." Hereinafter called "IDECO", and shall include IDECO's legal personal representatives and duly appointed engineers. The "**Engineer**" shall mean "Irbid District Electricity Co." Engineers or persons for the time being or from time to time duly appointed in writing by the purchaser to act as Engineer or the purpose of the contract.

The words "approved" and "approval" where used in these conditions or in the specification shall mean "approved by" and "approval of" the purchaser respectively. The "Vendor" shall mean the "Contractor" who's tender has been accepted by the purchaser and shall include the Vendor's. (Contractor's) legal personal representatives, successors and permitted assigns, "**F.O.B. Price**" shall mean the cost of the equipment delivered free on board the ship or truck or aircraft, all port charges and handling charges (also heavy lift if applicable) included .

The contractor must insure the material against all risks from the time it leaves the works until it is placed "F.O.B" . "C&F price" shall mean F.O.B. price plus freight including unloading at the port of destination. All Marine Insurance will be affected by the purchaser. The contractor must provide full details of the material to be shipped in good time for IDECO to arrange for Marine Insurance before the material is actually shipped.

"**The call - off purchase order**" means formal request for delivery to be issued by IDECO specifying equipment to be supplied, delivered, and tested by the contractor upon request by IDECO.

"Parties" means IDECO and contractor / vendor.

2. **IDECO will sign a Framework Agreement with successful supplier which governs the relationship between the company and the supplier, and upon signing the agreement. The supplier should submit a design package for each awarded type, in addition a milestone table to be established to determine the durations of supply activities ; i.e : design submittal, FAT advanced notice, release of shipment, ETC; where each purchase order date should be considered as the initial milestone date.**

3. Formation of call - off Contract

3.1. **The contract shall enter into force upon the date of awarding (hereinafter referred to as the "Effective Date") and shall be valid for 2 years thereafter and until the parties fulfill all their obligations hereunder.**

3.2. **IDECO has a right during the agreement validity to amend the contract up to extra one year.**

3.3. **The contract is not a commitment to purchase by the buyer. Commitment to purchase will only be made when IDECO issues an official purchase order under the terms of the agreement.**

- 3.4. The call off contract shall remain valid for on – call delivery for a period of two years from the date of signing the contract (agreement), and/or the expiration of the total contract quantity, whichever first occurs.**
- 3.5. The required materials under this contract shall be required partially in accordance with number of call-off purchase orders during agreement validity for on-call delivery for a period of two years from the date signing agreement, and/or the expiration of the total contract quantity, whichever first occurs.**
- 3.6. Notwithstanding that the contract and correspondence in connection with the contract shall be in the English language, the contract shall be and be deemed to be a Jordan contract and shall accordingly be governed by and construed according to the laws for the time being in force in the Hashemite Kingdom of Jordan.**
- 3.7. Power to Vary The Work:** alternations, amendments, omissions, additions, suspensions, or variations of the work, (hereinafter referred to as "variations") under the contract as shown by the contract drawings or the specification shall be made by the contractor except as directed in writing by the purchaser, but the purchaser shall have full power, subject to the provision hereinafter contained, from time to time during the execution of the contract by notice in writing to instruct the contractor to make such variation without prejudice to the contract and the contractor shall carry out such variations, and be bound by the same conditions, as far as applicable, as though the said variations occurred in the specification. If any suggested variations would, in the opinion of the contractor, if carried out, prevent him fulfilling any of his obligations or guarantees under the contract, he shall notify the purchaser thereof in writing, and the purchaser shall decide forthwith whether or not the same shall be carried out, and if the purchaser confirms his instructions, the contractor's obligations and guarantee shall be modified to such an extent as may be justified. The difference in cost, if any, occasioned by any such variations, shall be added to or deducted from the contract price as the case may require. The amount of such difference, if any, shall be ascertained and determined in accordance with the rates specified in the schedule of prices so far as the same may be applicable, and where the rates are not contained in the said Schedule, or are not applicable they shall be settled by the purchaser and the contractor jointly. But the purchaser shall not become liable for the payment of any charge in respect of any such variations, unless the instruction for the performance of the same shall have been given in writing by him. In the event of the purchaser requiring any variation, such reasonable a proper notice shall be given to the contractor as will enable him to make his arrangements accordingly, and in cases where goods or materials are already prepared, or any designs, drawings, or patterns made or work done that requires to be altered a reasonable sum in respect thereof shall be allowed by the purchaser. Provided that no such variations shall, except with consent in writing of the contractor, be such as will involve an increase or decrease of the total price payable under the contract by more than 25 percent thereof. The power given to the purchaser to make any alteration, amendment, omission, addition or variation to, from or in any part of the works shall include power to vary from time to time the date for the completion of the works or any part thereof.
- 3.8. IDECO shall have the absolute right during the validity of the contract up to the last delivery to increase or decrease the quantity of the items or not to order some items in such manner that does not exceed 25% of the total contract value.**
- 3.9. IDECO has a complete right not to award all items under this contract to one supplier, partial awarding per item or per quantity for a single item might be applicable and the suppliers do not have the right to object.**

3.10. IDECO has a complete right to substitute certain items instead of other items by increasing or decreasing the required quantity in purchase order.

3.11. Precedence: In the event of any discrepancy or contradiction between the provisions of the conditions of contract and of the specification, the conditions of contract shall take precedence.

4. Drawings and Descriptive Documents

4.1 The weights, dimensions, capacities, prices, performance rating and other data included in catalogues, prospectuses, circulars, advertisement, illustrated matter and price lists constitute an approximate guide. These data shall not be binding save to the extent that they are by reference expressly included in the contract.

4.2 Any drawings or technical documents intended for use in the construction of the material or of part thereof and submitted to the purchaser prior or subsequent to the formation of the contract remain the exclusive property of the Vendor. They may not, without the Vendor's consent, be utilized by the purchaser or copied, reproduced, transmitted or communicated to a third party. Provided, however, that the said plans and documents shall be the property of the purchaser.

a. If it is expressly so agreed, or

b. If they are referable to a separate preliminary development contract on which no actual construction was to be performed and in which the property of the Vendor in the said plans and documents was not reserved.

4.3 Any drawings or technical documents intended for use in the construction of the material or of part thereof and submitted to the Vendor by the Purchaser prior or subsequent to the formation of the contract remain the exclusive property of the Purchaser. They may not, without his consent be utilized by the Vendor or copied, reproduce, transmitted or communicated to a third party.

4.4 The Vendor shall, if required by the purchaser, furnish free of charge to the purchaser at the commencement of the Guarantee Period, as defined in clause 9, information and drawings other than manufacturing drawings of the material in sufficient detail to enable the purchaser to carry out the erection, commissioning, operation and maintenance (including running repairs) of all parts of the material. Such information and drawings shall be the property of the purchaser and the restrictions on their use set out in paragraph 2 hereof shall not apply thereto. Provided that if the Vendor so stipulates, they shall remain confidential.

5. Materials Packing and Shipping Marks

All materials, equipment and goods shall be very well packed, in seaworthy containers and/or wooden cases, etc. These should protect the material during shipping, handling, unloading, and for a reasonable period of storage at Aqaba and latter storage at IDECO stores. Packing for indoor materials should be done in such manner as to adequately ensure no ingress of moisture during the shipping and storage periods. Packing of fragile equipment (e.g. including instruments and porcelain) should be done in a way which ensures a reasonable resistance to impact breakage during transport. Packing shall in general be adequate and in compliance with the best international practice. A descriptive and fully itemized list shall be prepared for the contents of each packing case. A copy of this list shall be placed in a

waterproof envelope under a metal or other suitable plate securely fastened to the outside of one end of the case. And its position adequately indicated by stenciling on the case. Where appropriate drawing showing the erection marking of the items concerned shall be placed inside the case, IDECO will supply the successful tenderer with a drawing of its shipping mark for utilization. All packing cases, crates, barrels and drums shall remain the property of the purchaser.

5. Inspection and Testing

- 5.1.** If expressly agreed in the contract, the purchaser shall be entitled to have the quality of the materials used and the parts of the instruments, both during manufacture and when completed, inspected and checked by his authorized representatives. Such inspection and checking shall be carried out at the place of manufacture during normal working hours after agreement with the Vendor as to date and time.
- 5.2.** If as a result of such inspection and checking the purchaser shall be of the opinion that any materials or parts are defective or not in accordance with the contract, he shall state in writing his objections and the reasons therefore.
- 5.3. TESTS:** Acceptance tests will be carried out and, unless otherwise agreed, will be made at the Vendor's works and during normal working hours. If the technical requirements of the tests are not specified in the contract, the tests will be carried out in accordance with the general practice obtaining in the appropriate branch of the industry in the country where the material is manufactured.
- 5.4.** The Vendor shall give to the purchaser sufficient notice of the tests to permit the purchaser's representatives to attend. If the purchaser is not represented at the tests, the tests report shall be communicated by the Vendor to the purchaser and shall be accepted as accurate by the purchaser.
- 5.5.** If on any test (other than a test site, where test on site are provided for in the contract) the material shall be found to be defective or not in accordance with the contract, the Vendor shall with all speed make good the defect or ensure that the plant complies with the contract. Thereafter, if the purchaser so requires, the test shall be repeated.
- 5.6.** Unless otherwise agreed, the Vendor shall bear all the expenses of tests carried out in his works.
- 5.7.** If the contract provides for tests on site, the terms and conditions governing such tests shall be such as may be specially agreed between the parties.

6. Passing of Risk

Save as provided in paragraph 7.6, the time at which the risk shall pass shall be fixed in accordance with the International Rules for the Interpretation of Trade Terms (Incoterms) of the International Chamber of Commerce in force at the date of the formation of the contract.

- 7. Delivery:** Unless otherwise agreed the delivery period shall run from the date of the formation of the contract as defined in clause 2.

- 7.1.** Should delay in delivery be caused by any of the circumstances mentioned in clause 10 or

by an act or omission of the purchaser and whether such cause occur before or after the time or extended time for delivery, there shall be granted subject to the provisions of paragraph 5 hereof such extension of the delivery period as is reasonable having regard to all the circumstances of the case.

- 7.2. If a fixed time for delivery is provided for in the contract and the Vendor fails to deliver within such time or any extension thereof granted under paragraph 2 hereof, the purchaser shall be entitled, on giving to the Vendor within a reasonable time notice in writing, to claim a deduction of the price payable under the contract. Such deduction shall be calculated at the rate of **one half of one percent** of that part of the price payable under the contract which is properly attributable to such portion of the plant as cannot in consequence of the said failure be put to the use intended for each complete week of delay commencing on the due date of delivery, **but shall not exceed a maximum percentage deduction of ten percent from the purchase order value**, Such deduction shall be allowed when a payment becomes due on or after delivery. Save as provided in paragraph 5 hereof, such deduction of price shall be to the exclusion of any other remedy of the purchaser in respect of the Vendor's failure to deliver as aforesaid.
- 7.3. If the time for delivery mentioned in the contract is an estimate only, either party may after the expiration of two thirds of such estimated time require the other party in writing to agree a fixed time. Where no time for delivery is mentioned in the contract, this course shall be open to either party after the expiration of six months from the formation of the contract. If in either case the parties fail to agree, either party may have recourse to arbitration, in accordance with the provisions of clause 13, to determine a reasonable time for delivery and the time so determined shall be deemed to be the fixed time for delivery provided for in the contract and paragraph 3 hereof shall apply accordingly.
- 7.4. If any portion of material in respect of which the purchaser has become entitled to the maximum deduction provided for by paragraph 3 hereof, or in respect of which he would have been so entitled had he given the notice referred to therein, remains undelivered, the purchaser may by notice in writing to the Vendor require him to deliver and by such last mentioned notice fix a final time for delivery which shall be reasonable taking into account such delay as has already occurred. If for any reason whatever the Vendor fails within such time to do everything that he must do to effect delivery, the purchaser shall be entitled by notice in writing to the Vendor, and without requiring the consent of any court, to terminate the contract in respect of such portion of the material and thereupon to recover from the Vendor any amount not exceeding that part of the price payable under the Contract which is properly attributable to such portion of the material as could not in consequence of the Vendor's failure be put to the use intended.
- 7.5. If the purchaser fails to accept delivery on due date, he shall nevertheless make any payment conditional on delivery as if the material had been delivered. The Vendor shall arrange for the storage of the material at the risk and cost of the purchaser. If required by the purchaser, the Vendor shall insure the material at the cost of the purchaser. Provided that if the delay in accepting delivery is due to one of the circumstances mentioned in clause 10 and the Vendor is in a position to store it in his premises without prejudice to his business, the cost of storing the material shall not be borne by the purchaser.
- 7.6. Unless the failure of the purchaser is due to any of the circumstances mentioned in clause 10, the Vendor may require the purchaser by notice in writing to accept delivery within reasonable time. If the purchaser fails for any reason whatever to do so within such time,

the Vendor shall be entitled by notice in writing to the purchaser, and without requiring the consent of any court, to terminate the contract in respect of such portion of the material as is by reason of the failure of the purchaser aforesaid not delivered and thereupon to recover from the purchaser any loss, suffered by reason of such failure up to an amount not exceeding the value of the material, the delivery of which has not been accepted.

8. Force Majeure

8.1. Notwithstanding the provisions of causes 7, the supplier shall not be liable for forfeiture of its performance security, liquidated damages or termination for default, if and to the extent that, it's delay in performance or other failure to perform its obligations under the contract is the result of an event of Force Majeure.

8.2. For purposes of this clause, "Force Majeure" means an event beyond the control the supplier not involving the supplier's fault or negligence. Such events may include, but are not restricted to, acts to the purchaser either in its sovereign or contractual capacity, wars or revolutions, fires, floods, epidemics, quarantine restrictions and fright embargoes.

8.3. If a Force Majeure situation arises, the supplier shall promptly notify the purchaser in writing of such condition and the cause thereof. Unless otherwise directed by the purchaser in writing, the supplier shall continue to perform its obligations under the contract as far as is reasonably practical, and shall all reasonable alternative means for performance not prevented by the Force Majeure event.

8.4. Payment:

8.4.1 Terms of Payment:

1. The company prefers to deal with the supplier on an open account basis, and the payment to be made for each purchase order as the following:

- a. The supplier has to send the following documents: (Invoice origin + five copies), (Certificate of origin + five copies), (Bill of lading 3-negotiable + 5 non-negotiable), (Test certificate (where applicable) + 6 copies), to IDECO company/ financial department.**
- b. 100% of Payment will be released within 2 weeks after the receipt of goods and acceptance at IDECO stores.**

2. In case the supplier insists on L/C as a method of payment, all /LC charges will be born by the supplier and charge to his own account for each purchase order and the terms will be as follows:

- a. The L/C will be confirmed and irrevocable but has to be acceptance L/C and the supplier has to send the following documents: (Invoice origin + five copies), (Certificate of origin + five copies), (Bill of lading 3-negotiable + 5 non-negotiable), (Test certificate (where applicable) + 6 copies).**
- b. 100% of Payment will be released after submitting IDECO's acceptance certificate to the bank within 2 weeks after receipt of goods at IDECO's stores.**

8.4.2 Currency of Payment: The contract price will normally be paid in the currency or currencies in which the price has been stated. The purchaser, however, reserves the right to make payments in the currencies of the countries of origin of goods and services at the exchange rates applicable at the time of payment of the contract price.

- 8.4.3** Any advance payments made by the purchaser are payments on account and do not constitute a deposit, the abandonment of which would entitle either party to terminate the contract.
- 8.4.4** If delivery has been made before payment of the whole sum payable under the contract, material delivered shall, to the extent permitted by the law of the country where the plant is situated after delivery, remain the property of the Vendor until such payment has been effected. If such law does not permit the Vendor to retain the property in the material, the Vendor shall be entitled to the benefit of such other rights in respect thereof as such law permits him to retain. The purchaser shall give the Vendor any assistance in taking any measures required to protect the Vendor's right of proper or such other rights as aforesaid.
- 8.4.5** A payment conditional on the fulfillment of an obligation by the Vendor shall not be due until such obligation has been fulfilled, unless the failure of the purchaser is due to an act or omission of the purchaser.
- 8.4.6** If the purchaser delays in making any payment, the Vendor may postpone the fulfillment of his own obligations until such payment is made, unless the failure of the purchaser is due to an act or omission of the Vendor.
- 8.4.7** If delay by the purchaser in making any payment is due to one of the circumstances mentioned in clause 10, the Vendor shall not be entitled to any interest on the sum due.
- 8.4.8** Save as aforesaid, if the purchaser delays in making any payment, the Vendor shall on giving to purchaser within a reasonable time notice in writing be entitled, and without requiring the consent of any court, to terminate the contract and thereupon to recover from the purchaser the amount of his loss up to the value of the material, the payment for which has been unreasonably delayed.

9. Guarantee:

- 9.1.** Subject as hereinafter set out; the Vendor undertakes to remedy any defect resulting from faulty design, materials or workmanship.
- 9.2.** This liability is limited to defects which appear during the period (hereinafter called the Guarantee Period) of fifteen months from date of dispatch ex-works or twelve months from the date of setting to work whichever shall be the later.
- 9.3.** In fixing this period due account has been taken of the time normally required for transport as contemplated in the contract.
- 9.4.** In respect of such parts (whether of the Vendor's own manufacture or not) of the material as are expressly mentioned in the contract, the Guarantee Period shall be such other period (if any) as is specified in respect of each of such parts.
- 9.5.** The Guarantee period shall start from the later of the dates mentioned in paragraph 2 above. If however dispatch ex-works is delayed for a period in excess of three months due to a cause beyond the control of the Vendor the Guarantee Period shall not extend beyond eighteen month from the date the material was ready for dispatch ex-works.

- 9.6.** The Guarantee period is based on the continuous use of the material in service for 24 hours every day.
- 9.7.** A fresh Guarantee Period equal to that stated in paragraph 2 hereof shall apply, under the same terms and conditions as those applicable to the original material, to parts supplied in replacement of defective parts or to parts renewed in pursuance of this clause. This provision shall not apply to the remaining parts of material, the Guarantee Period of which shall be extended only by a period equal to the period during which the material is out of action as result of a defect covered by this clause.
- 9.8.** In order to be able to avail himself of his rights under this clause the purchaser shall notify the Vendor in writing without delay of any defects that have appeared and shall give him every opportunity of inspecting and remedying them.
- 9.9.** On receipt of such notification the Vendor shall remedy the defect forthwith and at his own expense. Save where the nature of the defect is such that it is appropriate to effect repairs on site, the purchaser shall return to the Vendor any part in which a defect covered by this clause has appeared, for repair or replacement by the Vendor, and in such case the delivery to the purchaser of such part properly repaired or a part in replacement thereof shall be deemed to be a fulfillment by the Vendor of his obligations under this paragraph in respect of such defective part.
- 9.10.** The Vendor shall bear all the costs and risks of the transport of defective parts or equipments and their replacements.
- 9.11.** Where, in pursuance of paragraph 9 hereof, repairs are required to be effected on site, the conditions covering the attendance of the Vendor's representatives on site shall be such as may be specially agreed between the parties.
- 9.12.** Defective parts replaced according to this clause shall be placed at the disposal of the Vendor.
- 9.13.** If the Vendor refuses to fulfill his obligations under this clause or fails to proceed with due diligence after being required so to do, the purchaser may proceed to do the necessary work at the Vendor's risk and expense, provided that he does so in a reasonable manner.
- 9.14.** The Vendor's liability does not apply to defects arising out of materials provided, or out of a design stipulated, by the purchaser.
- 9.15.** The Vendor's liability shall apply only to defect that appears under the conditions of operation provided for by the contract and under proper use. It does not cover defects due to causes arising after the risk in the material has passed in accordance with clause 6. In particular it does not cover defects arising from the purchaser's faulty maintenance or erection, or from alterations carried out without the Vendor's consent in writing, or from repairs carried out improperly by the purchaser, nor does it cover normal deterioration.
- 9.16.** Save as in this clause expresses, the Vendor shall be under no liability in respect of defects after the risk in the material has passed in accordance with clause 6, even if such defects are due to causes existing before the risk so passed. It is expressly agreed that the purchaser shall have no claim in respect of personal injury or of damage to property not the

subject matter of the contract or of loss of profit unless it is shown from the circumstances of the case that the Vendor has been guilty of gross misconduct.

9.17.The vendor is required to transport all the defective or not in accordance materials, from our stores within a month from date of notification. All costs and expenses of transportation shall be borne by the vendor. Unless otherwise agreed. IDECO has the right to deal with the defective materials in a proper way.

9.18.Gross misconduct "does not comprise any and every lack of proper care or skill, but means an act or omission on the part of the Vendor implying either a failure to pay due regard to serious consequences which a conscientious contractor would normally foresee as likely to ensue, or a deliberate disregard of any consequences of such act or omission.

10. Relief:

10.1.The following shall be considered as cases of relief if they intervene after the formation of the contract and impede its performance: industrial disputes, and any other circumstances (e.g. fire, mobilization, requisition, embargo, currency restrictions, insurrection, shortage of transport, general shortage of materials and restrictions in the use of power) when such other circumstances are beyond the control of the parties.

10.2.The party wishing to claim relief by reason of any of the said circumstances shall notify the other party in writing without delay on the intervention and on the cessation thereof.

10.3.The effects of the said circumstances so far as they affect the timely performance of their obligation by the parties, are defined in clauses 7 and 8. Save as provided in paragraph 7.5, 7.7, and 8.7, if by reason of any of the said circumstances, the performance of the contract within a reasonable time becomes impossible, either party shall be entitled to terminate the contract by notice in writing to the other part without requiring the consent of any court.

10.4.If the contract is terminated in accordance with paragraph 3 hereof, the division of the expenses incurred in respect of the contract shall be determined by agreement between the parties.

10.5.In default of agreement it shall be determined by the arbitrator which party has been prevented from performing his obligations and that party shall bear the whole of the said expenses. Where the purchaser is required to bear the whole of the expenses and has before termination of the contract paid to the Vendor more than the amount of the Vendor's expenses, the purchaser shall be entitled to recover the excess. If the arbitrator determines that both parties have been prevented from performing their obligation, he shall apportion the said expenses between the parties in such manner as to him seems fair and reasonable, having regard to all the circumstances of the case.

10.6.For the purposes of this clause "expenses" means actual out of pocket expenses reasonably incurred, after both parties shall have mitigated their losses as far as possible. Provided that as respects material delivered to the purchaser the Vendor's expenses shall be deemed to be that part of the price payable under the contract which is properly attributable thereto.

11. Limitation of Damages:

11.1. Where either party is liable in damages to the other these shall not exceed the damage which the party in default could reasonably have foreseen at the time of the formation of the contract.

11.2. The party who sets up a breach of the contract shall be under a duty to take all necessary measures to mitigate the loss which has occurred provided that he can do so without unreasonable inconvenience or cost. Should he fail to do so, the party guilty of the breach may claim a reduction in the damages.

12. Rights at Termination: Termination of the contract from whatever cause arising shall be without prejudice to the rights of the parties accrued under the contract up to the time of termination.

13. Arbitration and Law Applicable:

13.1. Any dispute, question or controversy shall arise between the purchaser and the contractor concerning this contract the matter in dispute shall be referred to an arbitration committee composed of three (3) arbitrators. One arbitrator shall be nominated by the purchaser and one by the contractor, and the third arbitrator shall be appointed by both parties. If either party fails to appoint his arbitrator within one month of the appointment of the arbitrator by the other party, or if the two parties fail to agree on the third arbitrator within two months of the date of the request to refer the dispute to arbitration, such arbitrator shall be appointed by the president of the highest court in Jordan at the request of either or both parties.

13.2. The decision of the arbitrators shall be final and binding on both the purchaser and the contractor. Any such reference shall conform to the statutory enactment or regulation governing arbitration as may be in force in Jordan at the time. The assessment of costs incidental to the reference and award respectively shall be at the discretion of the arbitration committee.

14. Ordering Procedures and Delivery Period

14.1 IDECO Company prefer Delivery period for each call - off purchase order for the required material within 90 day, and the priority will be given to the contractor who decrease the delivery period for purchase orders.

14.2 The contractor shall determine the delivery period which should be considered as the contractual delivery period for each call-off purchase order where this period is an important factor during the evaluation and priority should be given to earlier.

14.3 The purchaser will issue official call-off purchase orders for the required quantity including the date of adjust price as per London Metal Exchange (LME).

14.4 The contractor shall send to the purchaser a revised price letter for the required quantity in the call-off purchase order, and the total value for each call-off purchase order will be calculated in according to the formula mentioned, and based on LME copper closing price.

14.5 The purchaser has to send a final awarded letter for each call-off purchase order containing the final total order value for the required items, enabling the contractor or his representative to pay the stamps fees.

14.6 The contractor shall determine the minimum and maximum value per each purchase order, and determine the number of times of purchase orders can be delivered within two years. And the priority will be given to the contractor who minimize the purchase order value and maximize the number of times of purchase orders.

Tendering Instructions

1. The Tender shall be made in one copy of the accompanying form; however, all blanks and schedules shall be filled up in ink, and signed without alteration to the form of tender. If any such alteration were made, or if these Instructions were not fully complied with, the tender may be rejected. The tenderer; however, is at liberty to add any further details that he may deem desirable and, in the event of his so doing, shall print or type such details and annex the added matter to the tender submitted by him. Such additional details shall not be binding upon the purchaser unless they shall be subsequently incorporated in the contract.
2. One copy of the tender, and its accompanying documents, filled up as directed, together with the drawings, catalogs, and relevant documents called for, must be enclosed in a secure envelope endorsed (Tender for Contract) No. **(129/2017)** but bearing no other mark from which the identity of the tenderer can be ascertained.
3. All correspondences in connection with this tender and all matters accompanying the tender that are relevant to its examination shall be in English language and expressed in metric units.
4. The tender is to be held open for acceptance or rejection for a validity period of (120) days from the time fixed for opening the tenders.
5. Tenders received prior to the time fixed for opening of tenders will be securely kept, unopened. Tenders received after that time will be rejected. The purchaser bears no responsibility for premature opening of tenders not properly addressed or identified.
6. Tenders may be withdrawn by formal request received in writing from the tenderer prior to the time fixed for opening. If for any reason the tender should be withdrawn after the time fixed for opening and before expiry of the said validity period, the purchaser has the right to retain the full value of the tender bond.
7. The successful tenderer shall abide by the commercial and professional regulations as required by the Ministry of Industry & Trade, Engineering Association and other relevant Institutions in Jordan.
8. Tenderers attention is drawn to the action of customs officers in the discharge of their duties. Whereby air parcels are frequently opened In their own interests and in order to preserve the confidential nature of the tender price, tenderers are urged to pay attention to the:
 - a. To dispatch the completed tender document and any covering letter only by Air Mail which should be endorsed and labeled in the manner laid down in paragraph 10 of the Instructions to Tendering.
 - b. Technical literature and the like may reasonably be sent by Air Parcel or Air Freight but since this would then be separated from the actual Tender, each parcel should contain specific evidence identifying the Tender to which the contents refer.
 - c. The purchaser will not consider late or incompletely delivered tenders or literature supporting tenders due to the action of any customs officer.

9. In the event that the intending signatory does not manufacture one or more of the main sections of equipment and materials, then the tender submitted should give evidence to show that all the obligations imposed by the documents on the intending signatory have been fully understood and accepted, where applicable, by the manufacturer(s) to whom it would be intended to sub-contract one or more of the main sections of the equipment and materials.
10. For overseas transport of the contractor and his Sub-contractors, suppliers and manufactures must give priority to Jordan shipping national lines, and to Arab shipping companies and their subsidiaries for the shipping of goods, materials provided such companies ships call at the port of export. The contractor shall also give priority to the Royal Jordanian Airlines for air freight shipment and transport of personnel.
11. Tenderer must submit country of origin and name of manufacturer for the offered goods.
12. The foreign bidders who participate in this tender must submit their bids through a registered local agent or through their registered office in Jordan.
13. For all manufacturers from inside Jordan it is quite essential that they have JQM for their products and the purchaser will have the right to accept or reject their offer if they did not submitted the JQM certificate with their offer.
14. If samples were not re-claimed by the tenderer within 60 days from date of order all samples shall remain the property of the purchaser.
15. The purchaser will not be responsible for, nor to pay for, any expenses or losses which may be incurred by a tenderer in the preparation of his tender.
16. If the tenderer has any doubt about the meaning of any portion of the General Conditions, Specifications, Drawings, he shall clarify such doubts before submitting his tender, or in case of any further information can be obtained by an application in writing to the director general.
17. Tenderers are particularly directed that the amount entered on the form of tender shall be a fixed price for performing the contract strictly in accordance with the bound document, and shall be the sum total of all the amounts printed into and entered by the tenderer upon the schedule of prices.
18. Tender price shall include all incidental and contingent expenses.
19. The tender shall be accompanied by a tender bond in the form of a Bank Guarantee valid for at least 120 days from the time fixed for closing date of tender, or certified check in favor of and payable to the purchaser for a sum of.....as a guarantee of good faith. This bond is to be issued by any approved bank in Jordan. The bond will be returned to the unsuccessful tenderer within 120 days from the time fixed for opening the tenders or at such earlier time as a tender shall have been accepted by the purchaser. In the case of the successful tenderer, the bond will, subject to the conditions of contract, be returned as soon as a formal contract agreement and a performance bond have been entered into.

- 20. The successful tenderer has to submit a performance bond for each call-off purchase order will be issued by the purchaser equal to (10) percent of the total call-off purchase order value within (15) days from date of the final awarded letter for purchase order.**
- 21. The performance bond for each call-off purchase order should be valid for period of (15) months from the date of the purchase order.**
- 22. If the contractor fails for any reason to submit the required performance bond within (15) days, the purchaser has the right to confiscate the bid bond and any other submitted performance bond, and the awarding letter for issued call-off purchase order will be cancelled too.**
23. The tenderer shall state in his tender the name or names of the sureties, insurance company, or bank proposed for guaranteeing the performance of the contract.
24. Prices are highly recommended to be on the basis of C&F IDECO STORES. However C&F AQABA port or Amman customs are also accepted.
- 25. Stamp duty and award fees are payable on Jordanian contracts according to Jordanian laws and, after the placing of a contract, it is the contractor's responsibility to purchase legal stamps to the requisite amount depending on the contract value for each purchase order.**
26. If after receipt of tenders, the purchaser finds any difference between prices shown on the form of tender in writing and in numerals, then the price shown in writing shall be considered correct by the purchaser and the tenderer. If any discrepancies are found between the total in the price schedule and the total obtained by adding the products of each quantity and its particular rate then, whether the price shown on the form of tender in numerals or in writing corresponds or not, the total obtained by adding the products of the quantities and their particular rates shall be considered by the purchaser and the tenderer as the tender price.
27. Tender revaluation will be consistent with the terms and conditions set forth in the tender document. In addition to the tender price adjusted to correct arithmetical errors, other relevant factors such as the time of completion of delivery or construction, operating costs where applicable, or the efficiency and compatibility of the equipment, the availability of service and spare parts, and reliability of construction methods proposed will be taken into consideration, to the extent and in the manner specified in the tender documents, in determining the evaluated tender most advantageous to the purchaser. For comparison of all tenders, the currency or currencies of the tender price for each tender will be valued in terms of Jordanian Dinars. The rates of exchange to be used in such valuation will be the selling rates published by the central bank of Jordan and applicable to similar transactions, on the day tenders are opened unless there should be a change in the value of the currencies before the award is made. In the latter case, the exchange rates prevailing at the time of the decision to notify the award to the successful tenderer may be used.
- 28. The purchaser does not bind himself to accept the lowest or any tender, nor to assign any reason for the rejection of any tender, nor to purchase the whole of the equipment and materials specified. The purchaser has the right to purchase part of the tender, even if it is only one item from the schedule of rates and prices.**
29. The tenderer shall submit with his tender in order of the relevant clauses, a statement of any departures from specifications, or he can fill in the related schedule attached herewith. Notwithstanding any description, drawings, or literature which may be submitted, all details other

than those in the statement of departures shall be assumed to be in accordance with the specification.

- 30.** Although IEC standards for workmanship, equipment and materials, have been selected in this specification as a basis of reference, standards and specifications of other countries and recommendations of other international standard organizations will be acceptable provided that they are substantially equivalent to the designated standards and provided further that the tenderer submits for approval detailed specification which he proposes to use.
- 31.** References to brand names or catalog numbers, if any, in this specification have been made only for that equipment for which it has been determined that a degree of standardization is necessary to maintain certain essential features. In certain instances such references have also been made for purpose of convenience to specify the requirements. In either case offers of alternative goods which have similar characteristics and provide performance and quality at least equal to those specified are acceptable.
- 32.** Where compliance with a specific standard specification is called for the standard specification used shall be that in force at the time of tender.

General Requirements Standards and Regulations

- The following general requirements will apply, in so far as they may be applicable, to material to be supplied under this particular contract.

1. Design and Construction:

In complying with the requirements of the specification both with respect to arrangement and detail, design is to conform to the best current engineering practice. Each of the several parts of the material is to be of the maker's standard design provided that this design is in general accordance with the specification.

The essence of design should be simplicity and reliability in order to give long continuous service with high economy and low maintenance cost. Particular attention should be paid to internal and external access in order to facilitate inspection, cleaning and maintenance. The design dimensions and materials of all parts are to be such that they will not suffer damage as a result of stresses under the most severe conditions. Fully detailed specifications of the several parts of the material are to be submitted describing particularly the materials to be used. The materials used in the construction of the material are to be of the highest quality and selected particularly to meet the duties required of them. Mechanisms are to be constructed to avoid sticking due to rust or corrosion. Workmanship and general finish are to be of the highest class throughout. All similar parts of the material are to be interchangeable.

All equipment is to operate without undue vibration and with the least possible amount of noise and is not to cause a nuisance. All equipment is to be designed to minimize the risk of fire and any damage, which may be caused in the event of fire.

The equipment is also to be designed to prevent ingress of all vermin, accidental contact with live parts and to minimize the ingress of dust and dirt. The use of materials, which may be liable to attack by termites or other insects, is to be avoided.

2. Compliance with Standards:

Although the standards for workmanship, material, and equipment have been selected in these specifications as a basis of reference, standards and specifications of the other bank member countries and recommendations of standards international organizations will be acceptable provided they are substantially equivalent to the designated standards and provided furthermore that the contractor submits for approval detailed specifications which he proposes to use. Reference to brand names or catalog numbers if any in these specifications have been made only for that equipment for which it has been determined that a degree of standardization is necessary to maintain certain essential features. And in certain cases such references have also been made for purposes of convenience to specify the requirements, in either case offers of alternative goods, which have similar characteristics and provide performance and quality at least equal to those specified are acceptable. If the contractor offers materials, equipment, design calculations or tests, which conform to standards other than those specified, full details of the differences between the proposed standards and that specified in so far as they affect the design or purpose of the equipment, are to be supplied by the contractor if called upon to do so by the engineer, where required by the engineer for approval purposes, the contractor shall supply, without charge, duplicate copies of the proposed standards with English translations of the relevant portions. The contractor shall have available in his place of business (or in his supplier's works) the relevant copies of standards or codes used for the use of the Engineer.

3. Statutory Regulations

The materials, equipments and instruments forming part of this contract are to comply in all respect with any relevant local statutory regulations, by laws & orders currently in force.

4. Language

English language shall be used in all documents contained in the tender and in all correspondence between the contractor and engineer. Whenever any thing is required under the terms of the contract to be written marked, printed or engraved, the English language shall be used and duplicated in Arabic except where otherwise provided in this specification.

5. Correspondences

All correspondences on matters arising out of the contract shall be addressed by the contractor to Engineer and not directly to but copied to the purchaser.

7. Units of Measurement

In all correspondence, in all technical schedules, on all drawings and for all instrument scales, SI units of measurement are to be employed. On drawings where IEC or other units have been used it will be in order if the equivalent SI measurement is suitably marked in addition.

8. Contractor's Responsibilities

Unless stated specifically to the contrary in the tender with full supporting explanations, the contractor will be deemed to have concurred as a practical manufacturer with the design and layout of the works as being sufficient to ensure reliability and safety in operation, freedom from undue stresses and satisfactory performance in all other essentials as a working material.

9. Compliance with Specification

Notwithstanding any descriptions, drawings or illustrations which may have been submitted with the tender, all details other than those shown on the schedule of departures will be deemed to be in accordance with the specification and the standard specification and codes referred to therein.

No departures from the specification except those shown on the schedule of departures and approved by the purchaser are to be made without the written approval of the Engineer.

10. Drawings and catalogues

The Tenderer must submit with his offer all the specification indicating rating, weights, and dimension and time current characteristics of the offered materials.

Before the work is put in hand, dimensioned drawings and diagrams showing all details of the material, and materials to be used are to be submitted to the engineer for approval.

No wiring or connection diagrams shall be submitted for approval unless prior approval has been obtained for schematic diagrams, which are to include control and protection schematics showing the facilities being provided and the working of the schemes.

The drawings are to be submitted in quadruplicate and as soon as possible after the commencement date of the contract, and in any case in sufficient time to permit modifications to be made, if such deemed necessary by the Engineer without delay in the delivery of the contract work. The drawings submitted are to be modified as necessary if requested by the Engineer and resubmitted for final approval. If the contractor requires urgent approval of any drawing to avoid delay in the delivery of the contract works, he is to advise the Engineer accordingly when submitting the drawing. One copy of each drawing and diagram shall be sent direct to the purchaser. It is to be understood, however, that approval of the drawings will not exonerate the contractor from any responsibility in connection with the work. After all items of material have been manufactured and accepted three 35mm negatives of each drawing previously approved

is to be provided together with one reproducible on gauge polyester base film or similar and two prints on heavy gauge white paper from such drawings as may be required to show the detail and arrangement of the material as made. All drawings submitted by the contractor or by any sub contractor are to have the following particulars in the lower right hand corner in addition to the contractor's name:

IRBID DISTRICT ELECTRICITY COMPANY, CONTRACT NUMBER (129/2017).

11. Program of work

Within one month of acceptance of the tender, the contractor is to forward to the engineer four copies of chart detailing the material manufacture and delivery Program for the complete contract work for his comment or approval. Copies of the approved chart, as required by the engineer, are to be provided by the contractor. The chart is to indicate the various phases of work for all items of the contractor from the commencement of the contract to its final completion, e.g. design, ordering, of materials, manufacture and delivery. If at any time during the execution of the contract it is found necessary to modify the approved chart, the contractor is to inform the engineer and submit a modified chart for approval. Such approval is not to be deemed to be consent to any amendment of the completion date stated in the schedule.

12. Progress Report and Meetings

a. Progress Reports

At monthly intervals after approval of the Program chart, the contractor is to submit to the Engineer and the purchaser written detailed progress reports in triplicate in an approved form, indicating the stage reached in the design, ordering of material, manufacture and delivery of all components of the material. The reports should include details of any delays and the remedial action proposed. These reports are to be forwarded promptly so that on receipt by the engineer the information contained therein is not more than seven days out of date.

b. Meeting:

If during the execution of the contract the Engineer considers the progress position of any section of the work to be unsatisfactory, he will be at liberty to call such meetings, either in Irbid office, or at the contractor's work, as he deems to be necessary. If required by the Engineer a responsible representative from the contractor's works is to attend such meetings. Access to the contractors and sub-contractor's works is to be granted to the engineer at all reasonable times for the purpose of ascertaining progress.

13. Packing

Each item to be packed properly or protected for shipment and be capable of sustaining heavy handling during transportation from the place of manufacture to the purchasers stores in Irbid and hence to site and to be suitable for storage for a period of 6 to 12 months after to site.

Tube ends and other similar open ends are to be protected from both external damage and ingress of dirt and moisture during transit and while at purchaser's stores. Flanged pipes are to have their open ends protected by adhesive tape or jointing and then be covered with a wooden blank flange secured by service bolts. Precautions are to be taken to protect shafts and journals where they rest on wooden or other supports likely to contain moisture. At such points, wrappings impregnated with anti-rust composition or vapor phase inhibitors are to be used with sufficient strength to resist chafing and indentation due to movement which is likely to occur in transit. Protective wrappings and impregnation are to be suitable for a period of three months. In the case of ball or roller bearings installed in any items of material, precautions are to be taken to avoid indentation of the bearing races.

Metal bindings of cases are to be of corrosion resistant material position with struts or cross battens and not with wood chocks wedged in place, unless they are fastened firmly in place. All struts or cross battens are preferably to be supported by cleats fixed to the case above and below to form ledges on which the batten may rest. Cases are to be unopened after packing to prove that there is no movement of contents.

Where parts are required to be bolted to the sides of the case, large washers are to be used to distribute the pressure and the timber is to be strengthened by means of a pad.

Where practicable, all indoor items such as electric motors, switch and control gear, instruments and panels, machine components, etc., are to be cocooned or covered in polyethylene sheeting, sealed at the joints and the enclosure provided internally with a desiccators. Each crate or package is to contain a packing list in a waterproof envelope. All items of material are to be clearly marked for easy identification against the packing list. All cases, packages, etc. are to be clearly marked on the outside to indicate the total weight, to show where the weight is bearing and the correct position of the slings and are to bear an identification mark relating them to the appropriate shipping documents. Stencil marks on the outside of casings are to be indelible. The Engineer may require inspecting and approving the packing before the items are dispatched but the contractor is to be entirely responsible for ensuring that the packing is suitable for transit and such inspection will not exonerate the contractor from any loss or damage due the faulty packing.

Irbid District Electricity Co.

Form of Bid Bond

Tender No. (129/2017)

Dear Sir,

We are pleased to inform you that we guarantee M/S.....for the amount of.....in order to allow them to submit an offer for the due performance of the undertaking and obligation as specified in their Tender for Contract No.This Guarantee shall remain valid for a period of one hundred twenty days from the time fixed for opening the Tenders by IRBID DISTRICT ELECTRICITY CO. LTD.

This Guarantee shall be free from any interest and will be extended or paid in cash upon your first request in any or required, without the need for natural warning or judicial proceedings and without any rights to delay, oppose, or stop payment on our part, or on the part of the Tenderer or any of his representatives whom over. This Guarantee shall be deemed valid until the submittal of a duly executed Performance Bond.

Signed.....Bank (Surety)

Irbid District Electricity Co. Ltd.

Form of Performance Bond

Tender No. (129/2017)

Dear Sirs,

At the request of.....bank (the Foreign Bank) and on behalf of M/S..... Contractor's Name and Address), we..... Bank (the Local Bank) issue in your favor our irrevocable and unconditional Performance Bond No.....in the amount of..... (In word), in this connection we Bank (the Local Bank) hereby consider ourselves responsible forth unconditional payment to you or to your authorized representatives of the above sum on your first written demand in whole or in part notwithstanding any objections on the part of the above named contractor and without any need for natural warning or judicial proceedings.

This Bond will expire on and shall be renewed automatically for a period of months and for consecutive similar periods until it is returned by you to us.

Signed **Bank (Surety)**

Technical Specifications

- The following technical Specifications and particulars are applicable for the manufacturing, testing, and supplying of the materials seen on the invitation to tender page 3, **unless otherwise is mentioned in the following special requirements section.**

1. Climate Particulars:

The following is applicable unless otherwise is mentioned:

- | | |
|---|----------------------------|
| a. Maximum Ambient Temperature | 50 C° |
| b. Minimum Ambient Temperature | -10 C° |
| c. Design temperature | 75 C° |
| d. Maximum daily range of air temperature | 20 C° |
| e. Maximum Wind Pressure | 700 n/m ² |
| f. Ice Thickness | 10 mm. |
| g. Snow Falls | 1-4 days – 30 cm. |
| h. Site altitude | 0-1400m ASL |
| i. Average annual rainfall | 40cm during November–April |
| j. Relative humidity in the range | 30 to 60%. |
| k. Average number of thunder storms | 15 days / year |
| l. Prevailing wind winter average daily approximately 5-8 m/s, with gust up to 30 m/s. | |
| m. Summer wind average afternoon 10-13 m/s, during morning generally light and variable, gust speed up to 30 m/s. | |

2. Power System Particulars:

The plant and materials supplied shall be suitable in all respect for continuous operation in the existing system having the following data:

Normal Voltage	415V	11KV	33KV
Maximum Voltage	500V	12KV	36KV
No. Of phases	3	3	3
System frequency (Hz)	50	50	50
No. of wires	5	3	3
Fault level (MVA)	25	350	1500
Fault Current / Duration	*	*	25 kA / 3s
Earth Fault Current / Duration *	*	*	3 kA / 3 s
Neutral point Earthing	Solid	Resistance	Resistance
Conductor arrangement	Vertical	Horizontal	Horizontal

3. **Drumming:** All cables shall be supplied on robust drums of approved materials and construction suitable to withstand very rough transport and handling and to enable conductors or cables to be pulled out smoothly. Drums shall be non- returnable and, if made from timber, shall be pressure – impregnated against fungal and insect attack. Wooden drums shall be logged with closely fitting battens in accordance with BS .1559 or such other standard as may be approved. Battens shall be firmly secured to the drum flange using steel tape not less than 25 mm wide and 2mm thick and stapled to at least every third batten. Drum spindle holes shall

be reinforced by steel plates. Drum diameters and the maximum width of drums shall be suitable for the jacks provided under this contract. Each drum shall bear a distinguishing number on the outside of flange. Particulars of the conductor or cable, i.e. Voltage, conductor size and material, number of cores, length type code name and gross and net weights shall also be clearly shown on one flange, together with an approved mark. The gross weight of cable drums shall be clearly shown on one flange. The direction of rolling shall be indicated by an arrow on each flange. The method of marking shall be by gouging, burning or other legible and indelible method approved by the Engineer. Immediately after works tests both ends of cables shall be sealed against the ingress of moisture, dirt and insects and the end projecting from the drum shall be adequately protected against mechanical damage during handling. Cut ends of bare conductors shall be also being treated in an approved manner. Where applicable, cables and conductors shall be supplied in maximum drum length, bearing in mind the transport limitations in gaining access to the site. No drum shall contain more than one length.

4. Details of standard construction of IDECO self supporting over head Al. cables: IDECO cable consist of one to four XLPE insulated aluminum conductors , stranded around X.L.P.E – insulated aluminum alloy neutral (messenger). One of the insulated conductors in the main cables is intended for street lighting , while the main phase conductors (for main and service cables) vary from 16 to 150mm² , depending on the load currents, maximum acceptable voltage drop, and short –circuit currents required in the network . The size of the messenger (neutral conductor) is determined by the mechanical and electrical conditions, the phase conductor is made of hard – drawn aluminum round stranded and compacts.

5. Maximum Drum Length For Each SIZE:

The maximum length in each drum should be as follows:

Service Cables: table 3

CABLE SIZE	LENGTH IN M	Maximum Drum Size
3X150+70 mm ²	500 + 10% , -5%	D17

The tolerance in total length of the required lot in each purchase order is applicable to increased by 10% , and decreased by - 5%.

6. Voltage Identification and Marks of Origin:

The neutral conductor (messenger) insulation should be printed along its length (with permanent white ink), with names of the manufacturer and purchaser followed by year of production, contract No, purchase order No. and electrical cable 600/1000 volts at intervals not more than 250mm. the characters shall be as follows:
for neutral (messenger) sizes 70mm², the characters shall have height 2-4 mm and width 1-2 mm.

7. The Approved Standards: NF C 33-209, and NFC 30 - 203 with all its amendments, addition, and related standards.

8. Electrical Data:

- a. Rated voltage 0.6/1 K.V
- b. Highest system voltage 1.2 K.V
- c. Test voltage 4k.v / 50 HZ duration 5 Minutes.

9. Conductor: Conductors shall be round stranded and compacted aluminum and complying with the designation 1350. The properties of the aluminum wire before stranding shall have, before stranding ultimate tensile strength at least 120 N/mm².

- a. The outer layer in all stranded conductors shall have a RIGHT HANDED DIRECTION (Z).
- b. The surface of the conductors shall be smooth.

10. Neutral Conductor (Messenger): The neutral shall be round stranded and compacted aluminum alloy (Aluminum magnesium and silicon alloy) composed of 7 wires drawn from a rod, which is manufactured in a continuous casting and rolling process. The properties of the individual wires before stranding shall be:

- 1. for messenger size 70 mm²:
 - a. Tensile strength not less than 294 N/MM²
 - b. Elongation at break is at least 4 %.
 - c. No joints are allowed in the messenger except those made on the base rod or wire before final drawing.
 - d. Paper separation shall be applied over the conductor (between the conductor and the insulation this should be applied for neutral sizes 70 mm² only**
 - e. The outer layer in all stranded conductors shall have a left handed direction (S)
 - f. **NOTE: Number of wire should be according to the C.S.A of the cable based in NFC 33-209.**

11. Insulation: The insulation shall be Red-Colored X.L.P.E and comply with the requirements of NF C 33-209, and NFC 30 - 203 with all its amendments, addition, and related standards.

12. Performance Record: As the cables are to be provided for erection in a harsh environment, suppliers will be expected to demonstrate satisfactory performance with particular reference to high solar radiation and frequent wind borne sand conditions. Such performance record shall be provided for the cables in a similar climate detailing satisfactory, trouble free operation for a period of at least 5 years.

13. LAY RATIO (CORE LAY PITCH) FOR THE COMPLETED CABLE: According to IDECO requirements, the lay ratio should be as follows, and the manufacturer should comply with IDECO requirements

Service Cables

table 4

CABLE SIZE IN MM	LAY RATIO IN MM ACORDING TO IDECO REQUIRMENTS
3X150+70mm ²	500-550

14.PHASES AND NEUTRAL IDENTIFICATION: According to IDECO Requirements the identification can be achieved by clearly visible longitudinal ridges layer in that doesn't affect insulation sustainability or properties:

- **For 3X150+70 mm²**
 - Three phases shall be red colored insulation with 1 ridge for the first phase, two ridges for the second phase, and three ridges for the third phase.
 - Neutral conductor (messenger) solidly red and without any ridge.

NOTE: RIDGE dimensions should be according to figures 1-3 from tender documents. Where the NFC 33-209 specified printed Number, the manufacture should comply with IDECO requirement.

Inspection and Testing

1. **General Requirement**

The whole of the material by the contract will be subject to inspection and testing by the engineer during manufacture and on completion. The approval of the engineer or the passing of any such inspection or test will no, however; prejudice the right of the purchaser to reject the material if it fails to comply with the specification when erected or to give complete satisfaction in service. The costs of all tests and inspection shall be borne by the contractor and shall be deemed to be included in the contract price. Before any material is packed or dispatched from the main or sub-contractor's works, all tests called for are to have been successfully carried out in presence of the engineer.

Adequate notice shall be given when the material is ready for inspection or test and every facility shall be provided by the contractor and his inspection and his sub-contractors to enable the Engineer to carry out the necessary inspections and tests.

Triplicate copies of all principal test records and test certificates shall be supplied to the Engineer for all tests carried out in accordance with the provisions of the contract.

2. **Sub-Contractors**

Within two months of acceptance of the tenders the contractor shall forward to the engineer a list of all sub-orders placed or intended. The contractor shall submit three copies of all sub-orders or selected by the engineer for progress or inspection. One copy of all drawings referred to in the sub-order is to be submitted unless otherwise agreed by the engineer. The drawings and sub-orders submitted to the engineer will cover all major components which are subject to electrical and mechanical pressure or stress when the material is in operation and also auxiliaries and stores which will be dispatched to site direct from the sub-contractor's work. For the purpose of this clause inter-works orders are to be treated as sub-order. Sub-orders are to include a statement advising the sub-contractor that the items being order will be subject to inspection and test by the Engineer. It is important that all copies of such orders are clearly marked with the main contractor's name and the following reference:

IRBID DISTRICT ELECTRICITY Co. CONTRACT No (129/2017).

Sub-Contractors are to comply with all the applicable requirements of this specification. Orders issued by the sub-contractor are also to include the main contractor's reference on their sub-order in addition to the above-mentioned heading.

3. **Material Tests**

The contractor shall provide test prices as required by the engineer to enable him to determine the quality of the material supplied free of charge and any cost of the tests shall be borne by the contractor. If any test pieces fails to comply with the requirements of the appropriate specifications for the material in question, the engineer may reject the whole of the material represented by that piece, the contractor's designers and metallurgists will be consulted before any material is so rejected. In the event of the engineer being furnished with the certified particulars of the tests which have been carried out for the contractor by the suppliers of the material, he may, at his own discretion, dispense with the previously mentioned tests entirely.

4. **Tests at Manufacture's Works**

Works tests shall include all routine, electrical, mechanical and hydraulic tests in accordance with the relevant IEC standard or other standard may be approved except where departures there from and modifications thereto are embodied in this specification. For material not covered by an IEC or British standard or specifically mentioned in this specification the tests shall be agreed with the Engineer. After satisfactory completion of the witnessed tests at the works, the

material shall be submitted for the engineer's approval preparatory to shipping. No item of material is to be dispatched to site until the Engineer has given his approval in writing.

5. Test Certificates

Triplicate sets of all principal test records test certificates and performance curves shall be supplied for all tests carried out in accordance with the provisions of this contract. These test records, certificates and performance curves shall be supplied for all tests, whether or not they have been witnessed by the engineer. The information given in such test certificates and curves shall be sufficient to identify the material or equipment to which the certificates refers and should also bear the contract reference and heading as given in clause 7.2 of this section.

6. Rejection of Plant

IF Any item of material or component which fails comply with the requirements of this specification in any respect whatsoever at any stage of manufacture, test, erection or on completion at site may be rejected by the engineer either in whole or in part as he considers necessary, and after adjustment or modification if so directed by the Engineer, the contractor shall submit the item for the item for the further inspection and / or test. In the event defects of such a nature that the requirements of this specification cannot be fulfilled by adjustment or modification shall be replaced by the contractor, at his own expense, to the entire satisfaction of the engineer.

7. Maintenance

The contractor is to guarantee the efficient and good working of the material supplied under the contract for a period of twelve months (Gregorian) from the date of delivery of the material to Irbid, in accordance with the General conditions of contract.

8. Inspection and Testing during Manufacture: Every facility shall be provided by the contractor to enable the Engineer to carry out the necessary inspection of the equipment to be provided under this contract the costs of all tests during manufacture and preparation of test records shall be borne by the contractor. The passing of such inspection or test will, however ,prejudice the right of the purchaser to reject the material if it does not comply with specification when erected or give complete satisfaction in service. Test instruments shall be approved and shall, if required by the Engineer, be calibrated by the National physical Laboratory or such other body as may be approved at the expense of the contractor

Breakdown test voltages shall be measured by means of a crest or Electro – static voltmeter connected to the high voltage side of the transformer or by an instruments connected to the low voltage side of the transformer supplying the test voltage, and calibrated in an approved manner by means of a sphere spark gap Electrical tests other than impulse tests shall be carried out at a frequency of 50hz.

9. Type test certification for self supporting cables: The following type test certificates must be submitted with the offer, as per NFC 33-209 1996 issued from a well known international testing firm.

- 1-climate aging test
- 2- Checking the adhesion of the insulation on the core of the neutral (Messenger)
- 3- Ability of insulating material to piercing.

10. Cable Tests:

- A. Samples: 10% of the total number of drums of each cable size must be subjected to routine test.
- B. Visual Inspection: 100 % of the cables manufactured for this contract must be subjected to visual inspection.
- C. High Voltage Test: Each completed circuit of cable shall be subjected to a direct current high voltage test of 4 K.V 50 HZ duration 5 Minutes no breakdown of the insulation shall occur.
- D. Phase Conductors And Neutral (Messenger) Resistance Test: The resistance of the phase conductors and the messenger shall be measured, the resistance is determined with direct current, the measured resistance is corrected to 20 c using the formulas and coefficients given in clause 5 of the standard I.E.C 60228, the values obtained shall not exceed resistance given in this standard.
- E. Phase conductors And Neutral (Messenger) Thermal and Mechanical Properties, The result obtained must be accordance with:
 - a. Technical particulars and grantees schedules as stated in the offer
 - b. As per I.E.C 61089, and its amendment, and IEC 60228 and its amendment
 - c. As per IDECO standard as stated in tender documents
- F. Insulation Test: Insulation test, thickness, tensile strength, elongation, insulation resistance etc. shall be subjected to all the test at work specified in: I.E.C 60502.
- G. Bending Test: The test shall be performed on a sample of complete cable. The sample shall be bent around a test mandrel at room temperature for at least one complete turn. It shall then be unwound and the process shall be repeated after turning the sample around its axis 180 deg. The cycle of these operations shall then be repeated twice more, the diameter of the mandrel shall be $10(D+d)$ Where D = Actual Diameter of the cable (i.e. the minimum circumscribing circle diameter, mm). d = Actual diameter of the conductor In mm. No cracks visible to the naked eye are allowed.
- H. Hot set test
- I. Dimensional Check of the Cores:
- J. Checking the Lay Ratio of Completed Cable: As per IDECO standard as stated earlier in tender document.
- K. Checking the Voltage Identification and Marks of Origin: As per IDECO standard as stated earlier in tender document.
- L. Checking Phases and Neutral Identification: As per IDECO standard as stated earlier in tender document.

- M. Checking Cable Drumming: As per IDECO standard as stated earlier in tender document.
- N. Checking the Maximum Length of Each Size IN the Drum: As per IDECO standard as stated earlier in tender document.
- O. Checking The Over all Diameter of Each Size of Cable: As per IDECO standard as stated earlier in tender document.
- P. Slipping Test: According to the NFC 33-209 requirements the following slipping force (T_g) values should achieved:**
- a. 18 daN for the messenger neutral core with a section up to 54.6 mm²
 - b. 20 daN for the messenger neutral core with a section up to 70 mm²
 - c. 24 daN for the messenger neutral core with a section up to 95 mm

Schedule (1)
Technical Particulars and Guarantees for
0.6/1 KV AL Twisted cable 3X150+70 mm².

Unit	Description	particulars
V	voltage between phase of 3-phase circuit	600/1000
	of phase to earth	
--	class of Aluminum	
--	number of cores	
mm ²	cross sectional area of phase conductor	
mm	cross sectional area of neutral (messenger)	
mm	diameter of phase conductor	
mm	diameter of neutral messenger	
mm	minimum insulation thickness of phase conductor	
mm	maximum insulation thickness of phase conductor	
mm	minimum insulation thickness of phase conductor at any point	
mm	maximum insulation thickness of phase conductor at any point	
mm	minimum insulation thickness of neutral (messenger)	
mm	maximum insulation thickness of neutral (messenger)	
mm	minimum insulation thickness of neutral (messenger) at any point	
mm	maximum insulation thickness of neutral (messenger) at any point	
mm	core diameter of phase conductor	
mm	core diameter of neutral messenger	
mm	overall diameter for complete cable (for all sizes)	
k.g	weight/ meter for complete cable	
m	maximum drum length .	
m	maximum length	
ohm	resistance of each core per 1000 M at 20 c	
ohm/km/phase	inductive reactance at 50 HZ (phase conductor slight)	
μ.f	mean electrostatic capacity of each conductor to earth /1000 M of complete	
Amp	charging current/ conductor/ 1000 m of complete Cable at normal voltage	
C	maximum conductor temp (phase +st. light)	
C	maximum conductor temp for neutral messenger Assumed maximum	
	continues load current	
Amp	a) at 20 c ambient	
Amp	b) at 35 c ambient	
Amp	c) at 40 c ambient	
mm	minimum radius of bend around which cable can be laid	
	Maximum permissible short circuit current for 1 second	
k.a	a) phase conductor	
	c) neutral messenger insulation type	
%	carbon black percentage	
M.ohm/km	minimum insulation resistance at 90 C	

N/mm ²	minimum insulation tensile strength before aging
%	insulation elongation before aging
N/mm ²	minimum insulation tensile strength after aging
%	insulation elongation after aging
mg/cm ²	insulation water absorption
--	individual wires before stranding (for all cable size)
mm ²	a) cross sectional area
N/mm ²	b) tensile breaking stress
%	c) elongation on 200mm on breaking
%	d) elastic limit of material as % break strength
mm	lay ratio for the completed cable .

Special Requirements

The Below mentioned requirements shall have a precedence in all of the preceding specifications and requirements, and the tenderer is kindly requested to strictly follow.

1. The Tender Calls for: {»} variable Prices.
2. The manufacturer shall print IDECO Contract No. (129/2017), country of origin and purchase order No. () along with the stock code corresponding to the certain material as seen in the Stock Code Tape in the invitation to tender table no.2 - page (3), and the message already described above. And QR code contain the following message shall be printed on nameplate of required materials.

IDECO Tender No. 129/2017

Purchase order No.

Stock code xxxx xxxx as mentioned in table No.2.

Serial number

Manufacturer name

Manufacturing date

3. Maintenance instructions: Where the equipments / materials supplied are subject to maintenance during service the manufacturer shall submit for approval a draft of the recommended maintenance instructions. After approval the supplier shall supply any further copies required by the Engineer. These maintenance instructions shall be provided before the taking over of any part of the equipment.
4. Catalogues: a set of the manufacturer's catalogues shall be attached to the tender.
5. All Inspection Costs (Visa, Air Tickets, Hotel, Accommodation, Transportation, etc.) of at least (2) IDECO representative engineers, at the manufacturer house, for each purchase order to ensure the proper handling and operation of the supplied materials is required. And contractor is to handle all related costs.
6. When the visit to a factory is required for evaluation purposes before signing the agreement, the tenderer must do all necessary arrangement for this visit; the related cost of visit by IDECO team will be borne by the manufacturer.
7. Same as mentioned in the previous technical specifications, No further special Requirements.
8. The material safety data sheet (MSDS) of all equipments / materials is required to be submitted with the offer.
9. The tenderer shall consider the USD as the only accepted reference currency under this contract.
10. **IDECO has the complete right to reply on clarifications, or request during 7 days.**

Departures from Technical Specifications and / or Special Requirements

➤ The Tenderer is kindly requested to fill in the below schedule if applicable:

Schedule 2 (Departures)

No.	Required Specification	Departure

Remarks:

- ❖ ...
- ❖ ...
- ❖ ...

Signed:

On behalf of:

Address:

.....

Date2017

Manufacturing and Delivery

- ✓ Below schedule shall be completed by the tenderer and the periods entered shall be binding on the contractor. All periods entered below are to be in weeks and relate to the placing of the contract. Material shall be shipped uniformly throughout the contract.
- ✓ The tenderer shall determine the minimum value per each purchase order, and determine the number of times purchase orders can be delivered within two years. And the priority will be given to tenderer who minimize the purchase order value and maximize the number of times of purchase orders.

Schedule 3 (Manufacturing & Delivery)

Required	DATA for item (1) 0.6/1 KV X.L.P.E self-supporting overhead Al. cables 3X150+70 mm ²
Manufacturer	
Manufacturing Place	
Inspection Place	
Manufacturing Period and Delivery (week) to from purchase order date
Minimum value per each purchase order. (USD)	
Maximum Value per each purchase order (USD)	

PRICE ADJUSTMENT FORMULA

ALUMINIUM PRICES

Variable Price for AL cables as specified.

Table 5

	ALUMINIUM U.S. Dollar per Ton
Basic Prices for metals on which the quoted prices are based.	2100

Authorized source responsible for the publication of current market price **London Metal Exchange**

LME PRICE ADJUSTMENT FORMULA (Aluminum):

$P_{new} = P_o + (V.F (CLME-BLME))$

Where:

1. **P0:** Quoted Price per unit.(KM)
2. **CLME:** Current Aluminum Price as Per London Metal Exchange Closing Price at awarding date of Purchase Order (**Cash Seller**).
3. **BLME:** The Aluminum Price Quoted in the Offer (Base LME for AL).
4. **V. F:** Variation factor for Aluminum.

PRICE VARIATION DATA

Schedule 4

ITEM	Material	Aluminum Weight of all conductors per 1000 meters (kg)	Variation Factor For Aluminum V.F
1	Rated 0.6/1kV, Circular Compacted Aluminum Conductor, red XLPE Insulated, Self Supported Overhead AL Cable 3x150+70 (Neutral Messenger) mm ² .		

Price Summary and Delivery

- The tenderer shall enter in the appropriate columns of this schedule the prices at which each item will be supplied. Prices shall include shipment and delivery to the selected destination seen below based on the following selected transportation obligations.
- IDECO Company is not exempted from custom duties, sales taxes, import license fees and any other tariffs.
- transportation obligations shall be indicated by **putting a tick** at the proper following choice:

CFR - Aqaba Port
 CPT- Amman Customs
 CPT- IDECO Stores

- The tenderer shall be filled in the below tables for Variable Prices, based on the basic price of Aluminum = **2100** US Dollar per metric ton, according to the PRICE ADJUSTMENT FORMULA
- The tenderer shall be determined the aluminum weight in the conductors per Kg/ km.
- The tenderer shall be determined the variation factor for Aluminum.
- The tender shall consider the USD as the only accepted reference currency under this contract.

Schedule 5

No.	Quantity (kM) Within 2 years	Material	Unit Price Per KM (USD) (P0)	Total Price (USD)
1	50	Rated 0.6/1kV, Circular Compacted Aluminum Conductor, Red XLPE Insulated, Self Supported Overhead AL Cable 3x150+70 (Neutral Messenger) mm2.		
<u>Total Contract Price (in words)</u>				
Minimum value per each purchase order (USD)				

Name(s) of Sureties:

Name(s) and Address of Tenderer:

Tele / Fax:

Answer Back Code:

Signature:

Position of Signatory:

Inspection Details

- In case of foreign material origin, and inspection of material is required, the bidder shall fill the following table.

Schedule No.6

NO.	Description	cost
1	Inspection cost in the country of origin per engineer. (If not included in the main offer).	
2	Air flight class	
3	Transportation cost during the period of inspection (Included/not included)	
4	Residential Hotel Rank	
5	Daily meals (included/Not included), Number of meals.	

FIGURE No.1

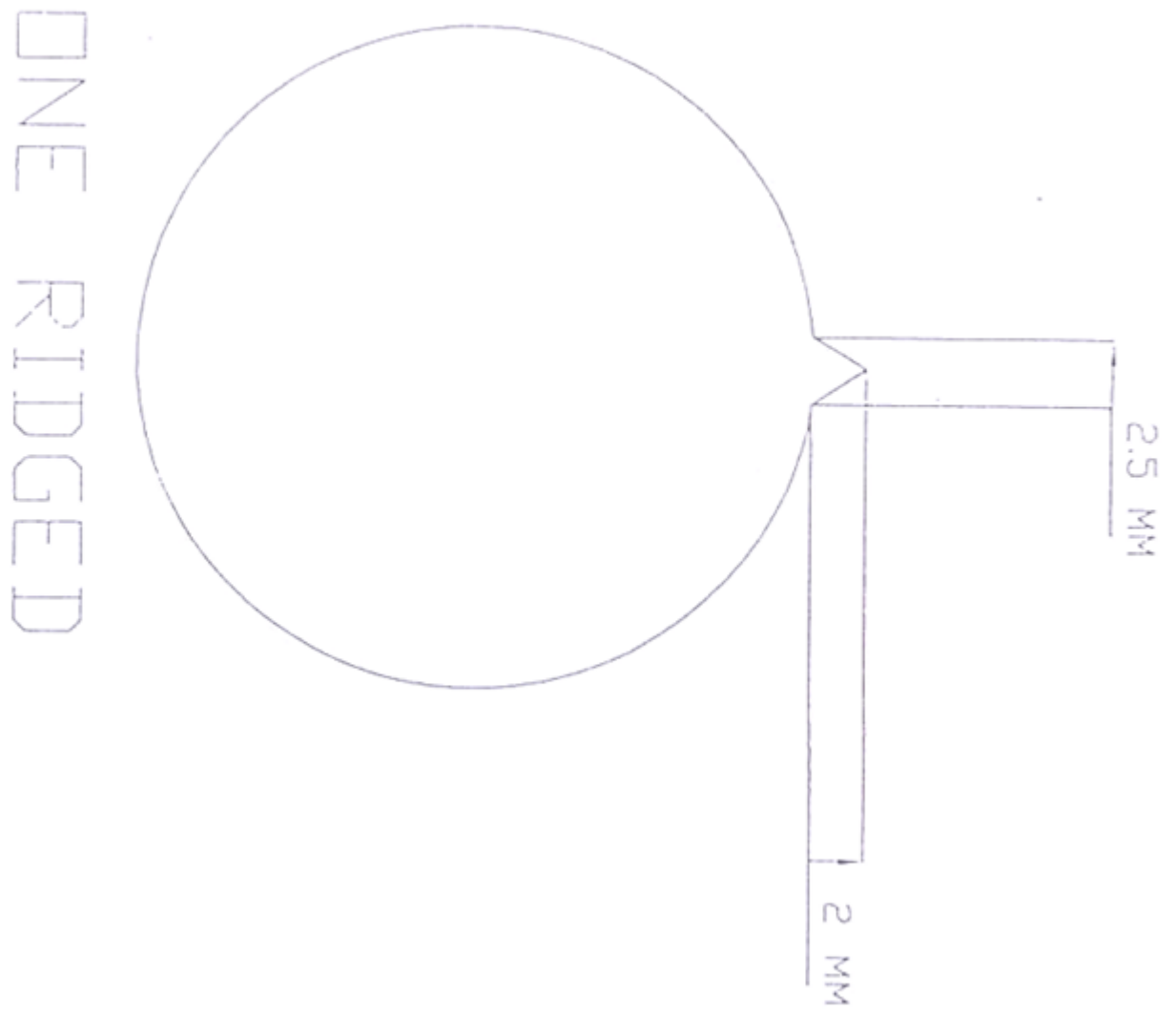


FIGURE NO.2

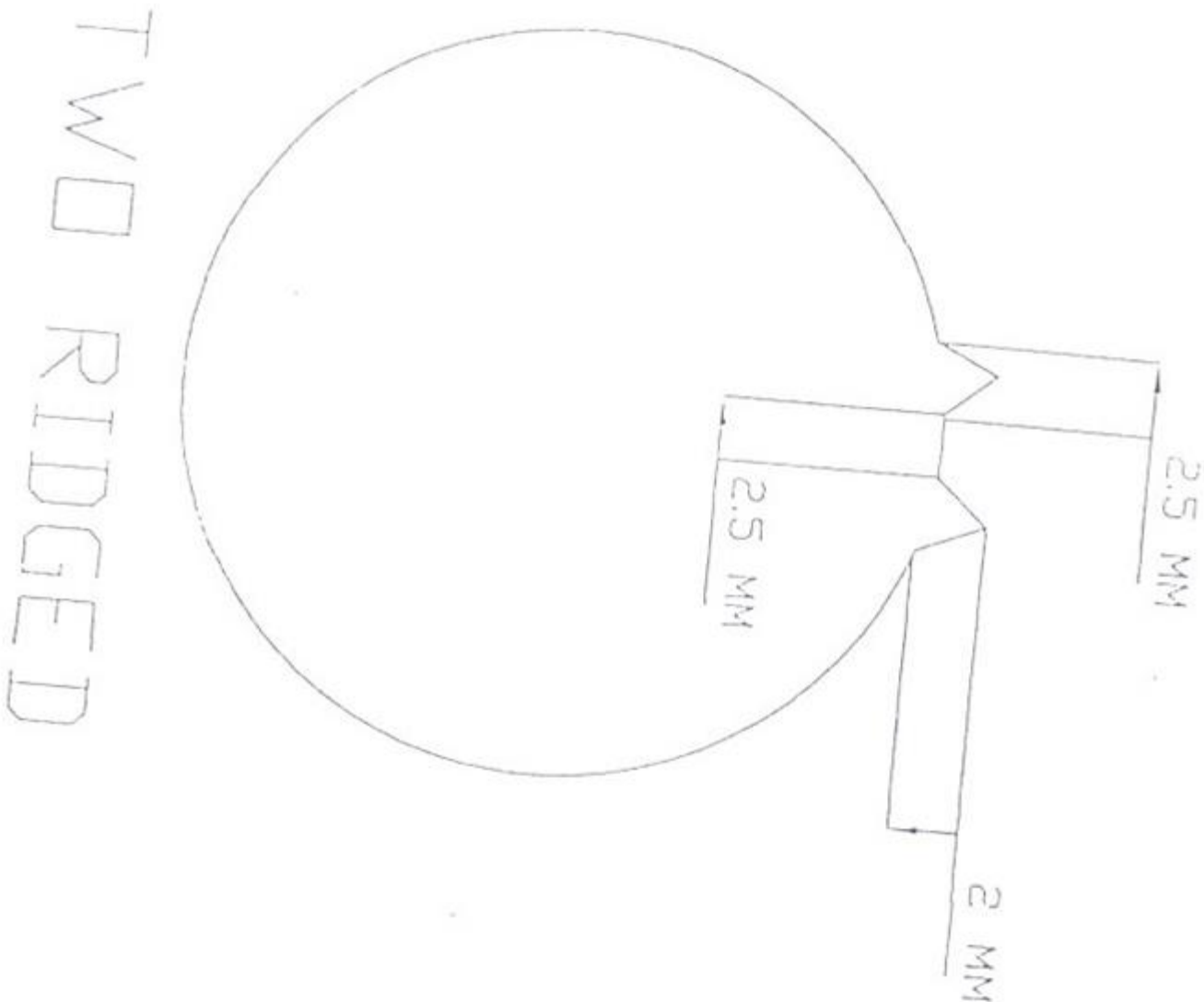
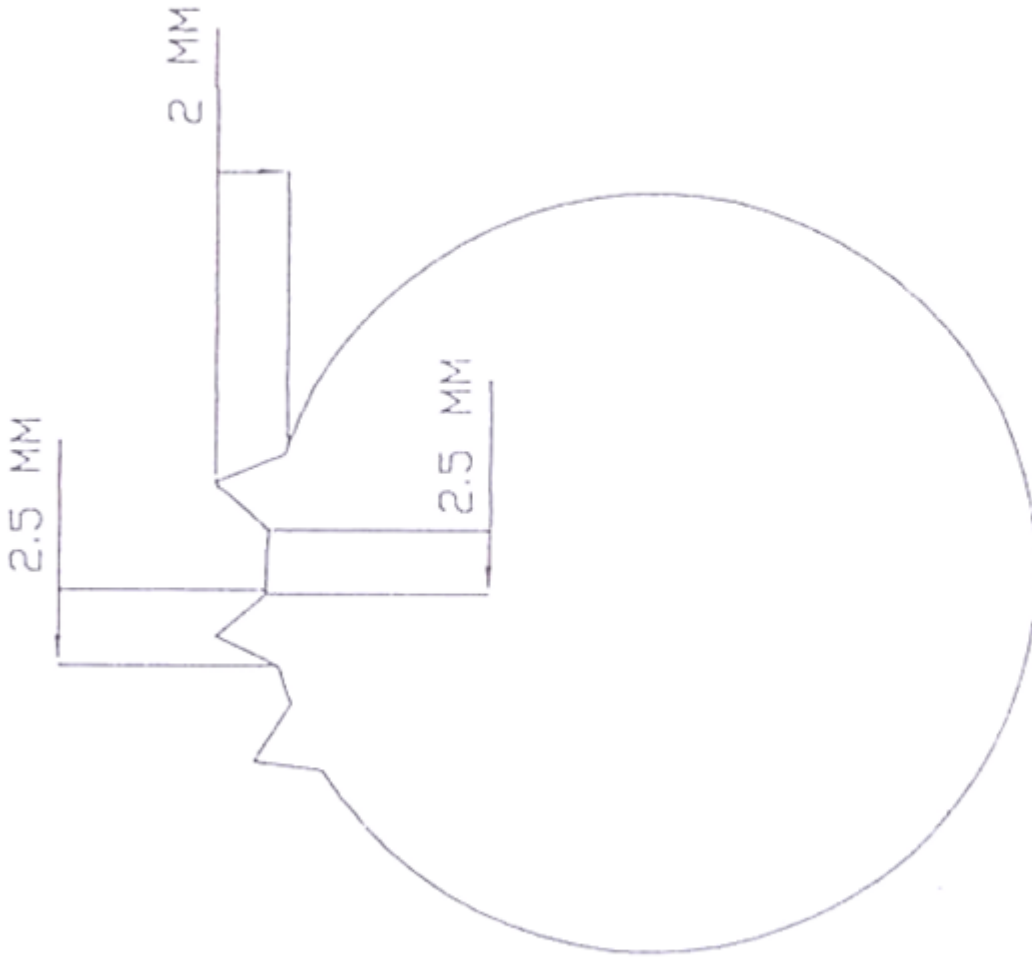


FIGURE NO. 3



THREE RIDGED